



secret jardin

# ASSEMBLY INSTRUCTIONS



## LODGE R4.00

|  |     |
|--|-----|
| <b>ACCESSORIES</b> .....                       | p.3 |
| <b>STRUCTURE ASSEMBLY</b> .....                | p.4 |
| <b>CANVAS &amp; ACCESSORIES ASSEMBLY</b> ..... | p.6 |
| <b>CONFIGURATION</b> .....                     | p.8 |



L160

**DUCTING FLANGE Ø16**



**Ducting Flange x4**



**Cutting Tool x1**



**Light Baffle x2**



**Connectors x2**  
100 - 125 - 150 mm

**CABLE FLANGE Ø7**

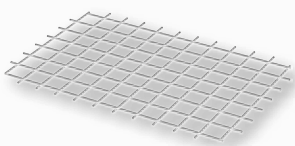


**Cable Flange x2**



**Cutting Tool x1**

**METAL GRID**



**Grid**  
L100 x1  
L160 x2



**Clips**  
L100 x4  
L160 x8

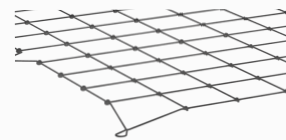
**GENERAL**



**Space Booster x1**



**WaterTray x2**



**WebIT x1**



**PocketIT x1**

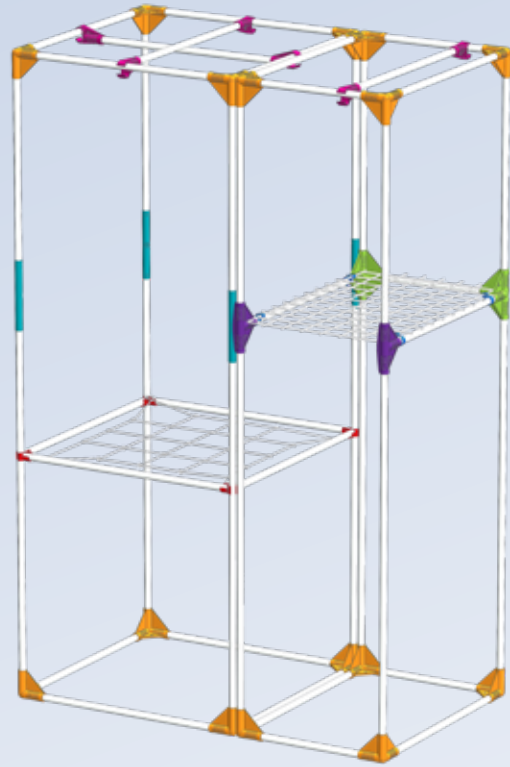
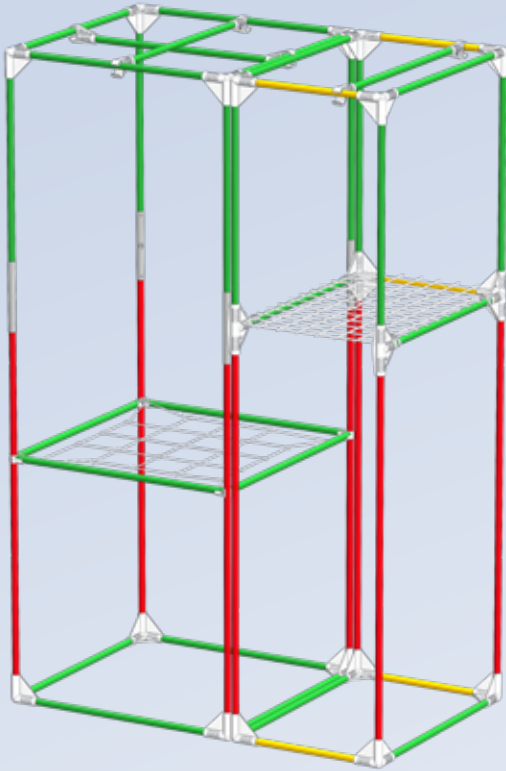


**Pair HookIT x1**



**CableIT**  
L100 x15  
L160 x30



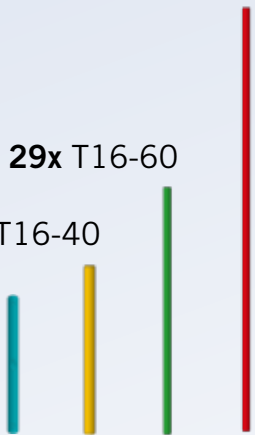


**8x T16-100**

**29x T16-60**

**5 x T16-40**

**4x T16-Link**



**4x Clips**



**6x C16-H**



**16x C16-Y**



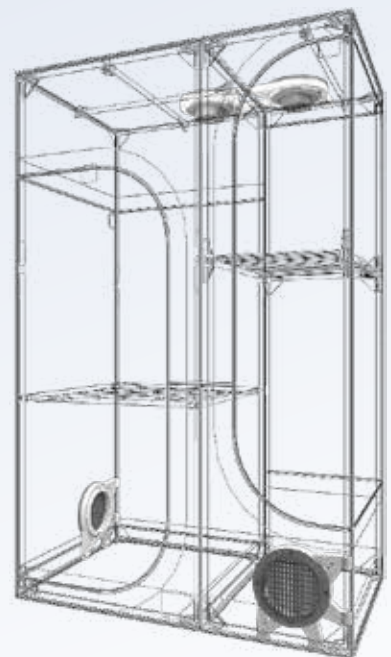
**2x C16-T**



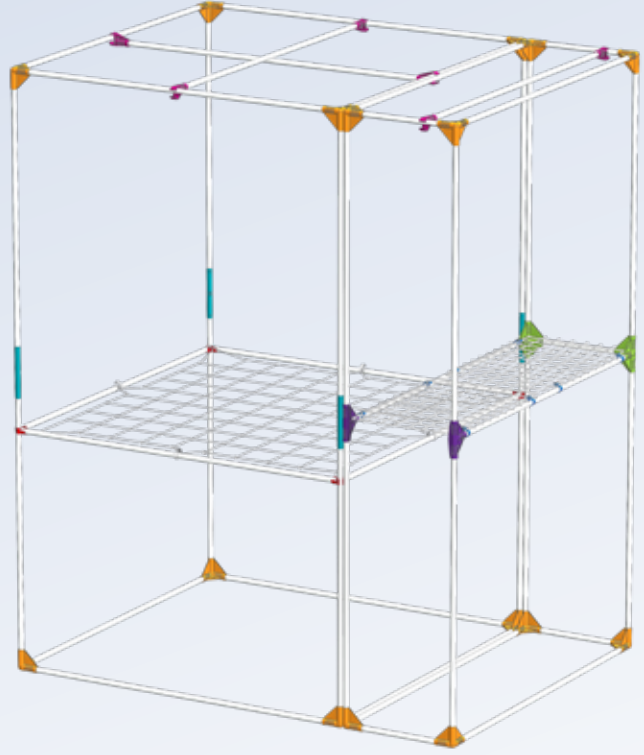
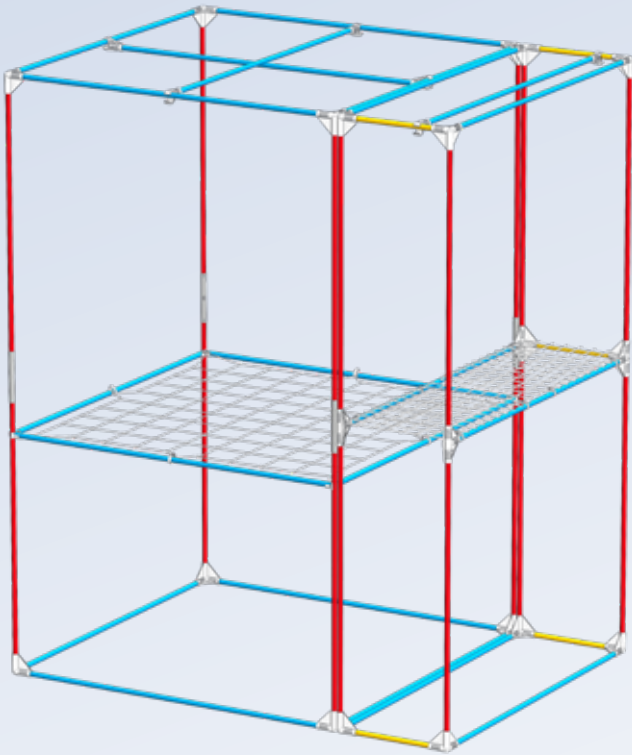
**2x C16-K**



**4x C16-SB**



**Canvas & accessories  
assembly p.6**



**21x T16-120**

**16x T16-100**

**5 x T16-40**

**4x T16-Link**



**8x Clips**



**6x C16-H**



**16x C16-Y**



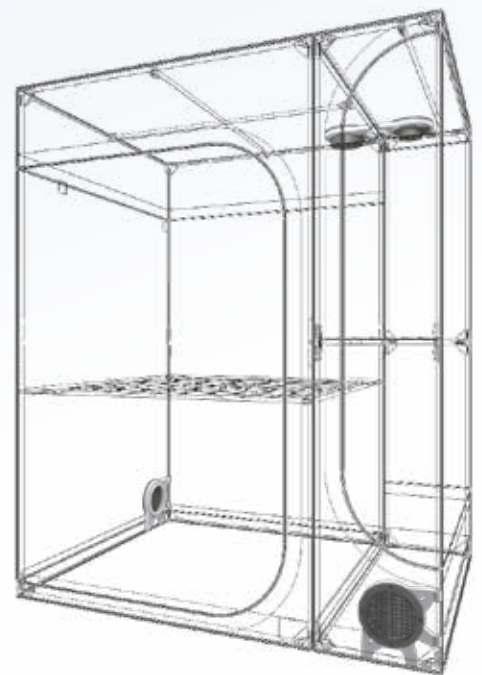
**2x C16-T**



**2x C16-K**

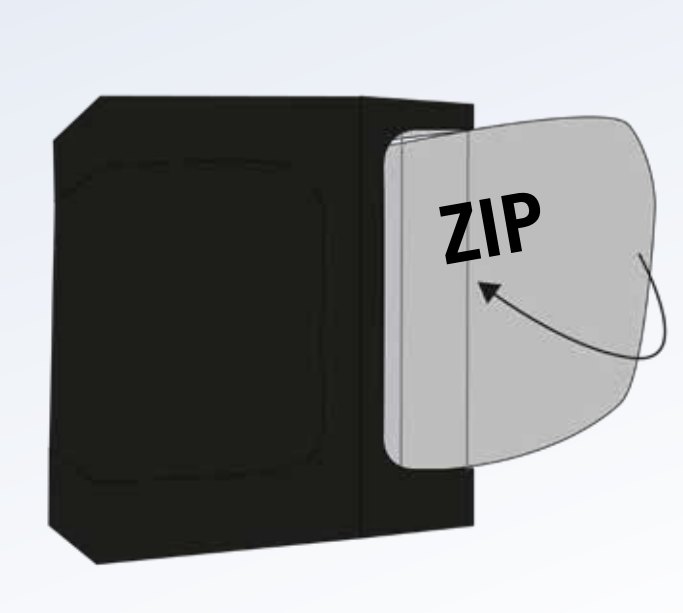
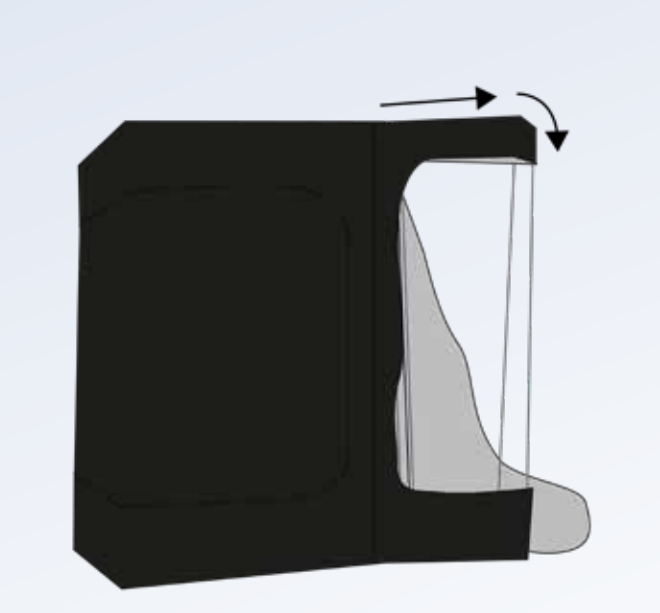
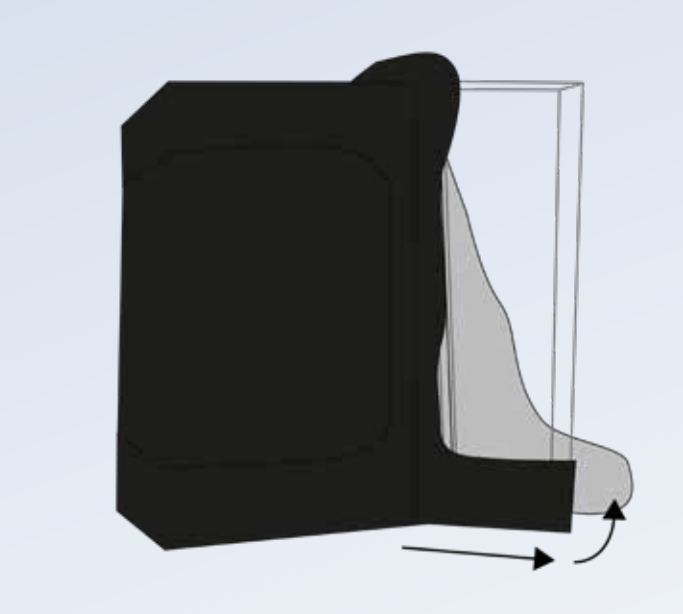
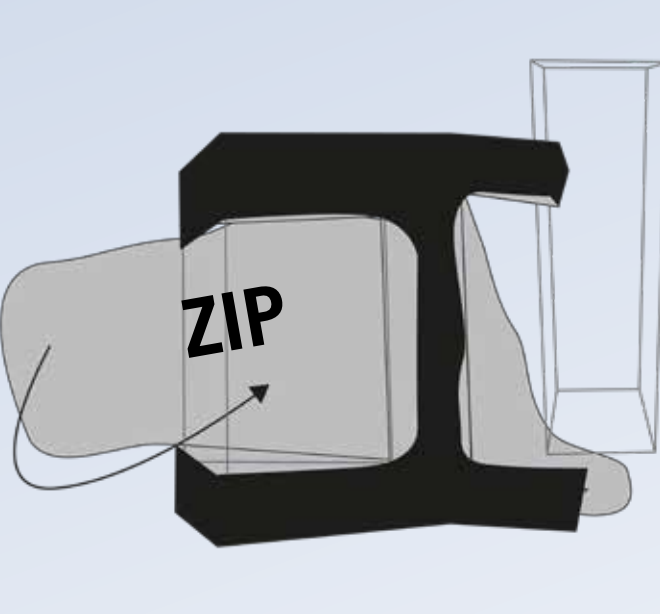
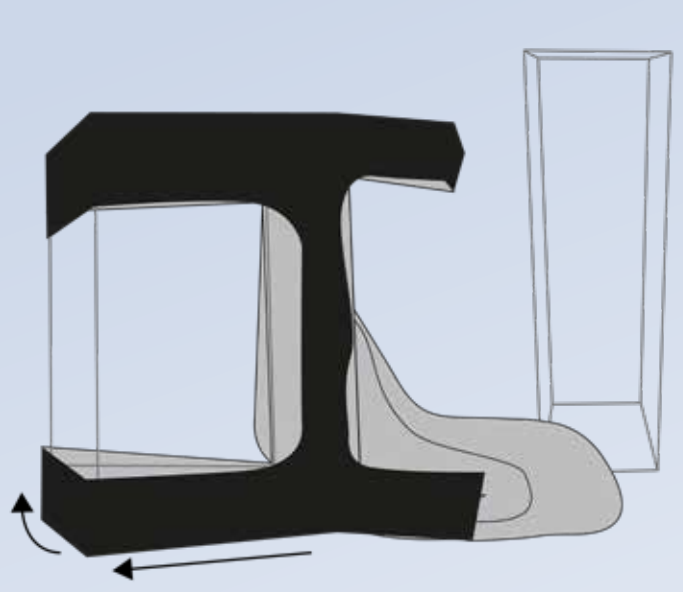
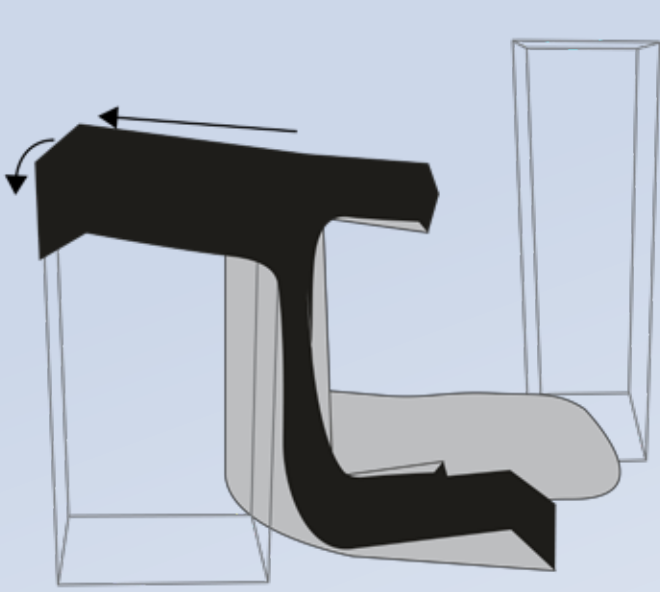


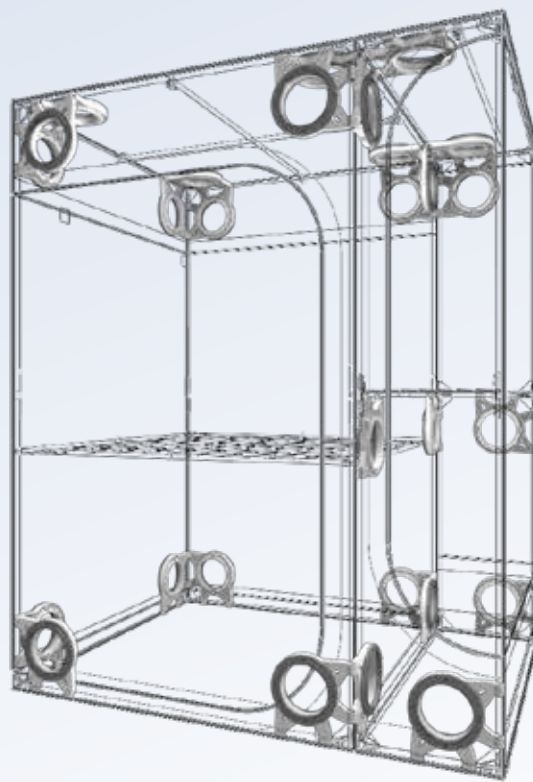
**4x C16-SB**



**Canvas & accessories  
assembly p.6**







**SPACE BOOSTER, WEBIT,  
DUCTING & CABLE FLANGES**



# METRIC

| HOBBY LODGE |                          | WGT   | HANDLING |   | LIGHTING |          | VOL     | VENTILATION ADVISED |     |                      |                        |
|-------------|--------------------------|-------|----------|---|----------|----------|---------|---------------------|-----|----------------------|------------------------|
| REF         | DESIGNATION              | REV   | Net      | # | L        | Weight   | Advised | Advised             |     |                      |                        |
|             |                          |       | kg       |   | cm       | Per Pole | HPS     | LED                 | m3  | HPs/HOT every 30-60s | LED/COLD every 1-2 min |
| L100        | Lodge 100 x 60 x 158 cm  | R4.00 | 13,5     | 3 | 60       | 10 kg    | HPS250W | 1 LED200W           | 0,6 | 70 m3/h              | 35 m3/h                |
| L160        | Lodge 160 x 120 x 198 cm | R4.00 | 21,0     | 3 | 120      | 10 kg    | HPS600W | 3 LED200W           | 2,9 | 345 m3/h             | 175 m3/h               |
|             |                          |       |          |   |          |          |         |                     |     | 173 m3/h             | -                      |
|             |                          |       |          |   |          |          |         |                     |     | -                    | -                      |

# IMPERIAL

| HOBBY LODGE |                          | WGT   | HANDLING |   | LIGHTING |          | VOL     | VENTILATION ADVISED |     |                      |                        |
|-------------|--------------------------|-------|----------|---|----------|----------|---------|---------------------|-----|----------------------|------------------------|
| REF         | DESIGNATION              | REV   | Net      | # | L        | Weight   | Advised | Advised             |     |                      |                        |
|             |                          |       | lb       |   | in       | Per Pole | HPS     | LED                 | cf  | HPs/HOT every 30-60s | LED/COLD every 1-2 min |
| L100        | Lodge 31/3' x 2' x 51/4' | R4.00 | 29,8     | 3 | 24       | 20 lb    | HPS250W | 1 LED200W           | 21  | 41 cfm               | 21 cfm                 |
| L160        | Lodge 51/4' x 4' x 62/3' | R4.00 | 46,3     | 3 | 47       | 20 lb    | HPS600W | 3 LED200W           | 100 | 199 cfm              | 100 cfm                |
|             |                          |       |          |   |          |          |         |                     |     | -                    | -                      |
|             |                          |       |          |   |          |          |         |                     |     | 100 cfm              | -                      |



info@secretjardin.com



SECRET JARDIN



www.secretjardin.com