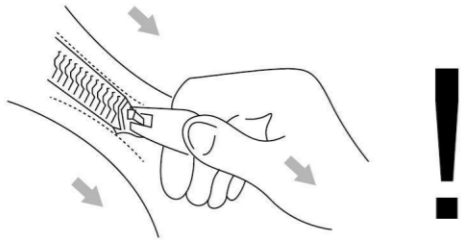
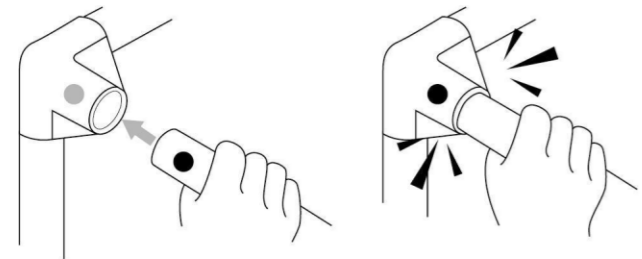
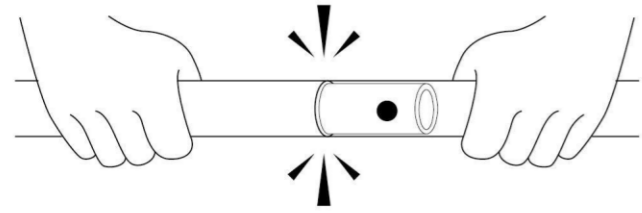
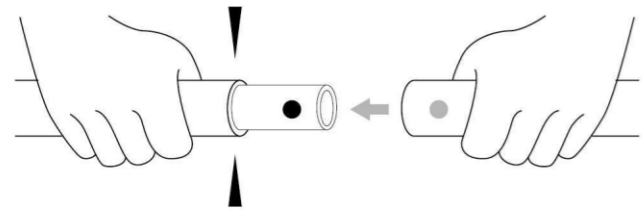
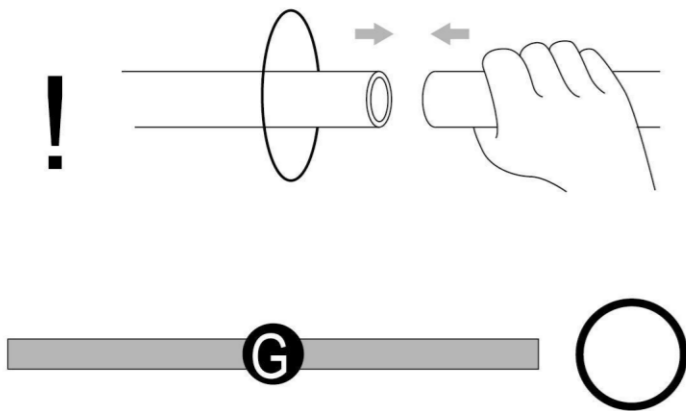


BudBox™

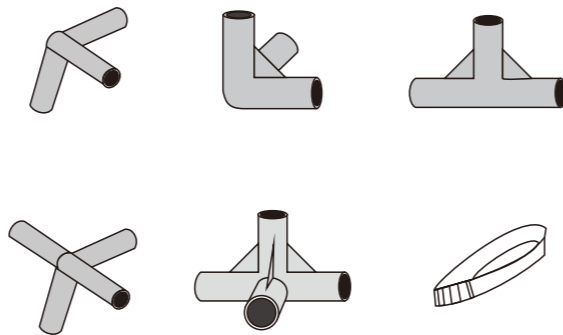
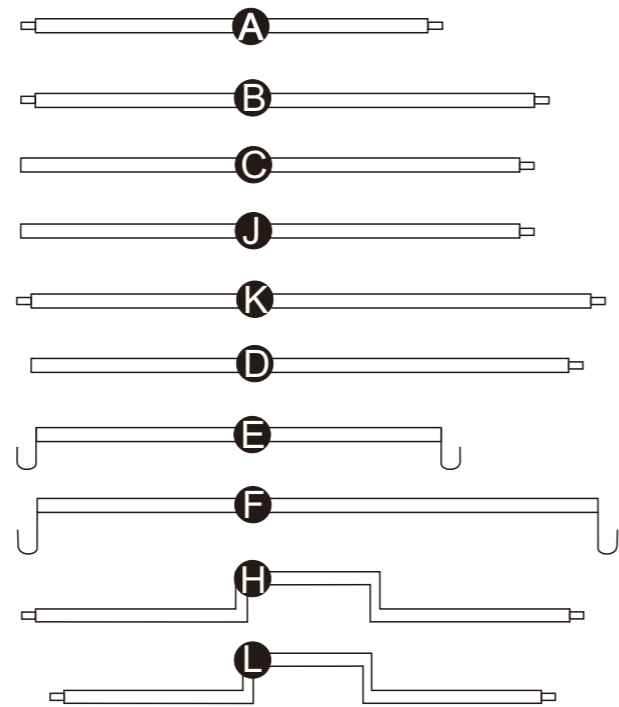
Assembly Guide



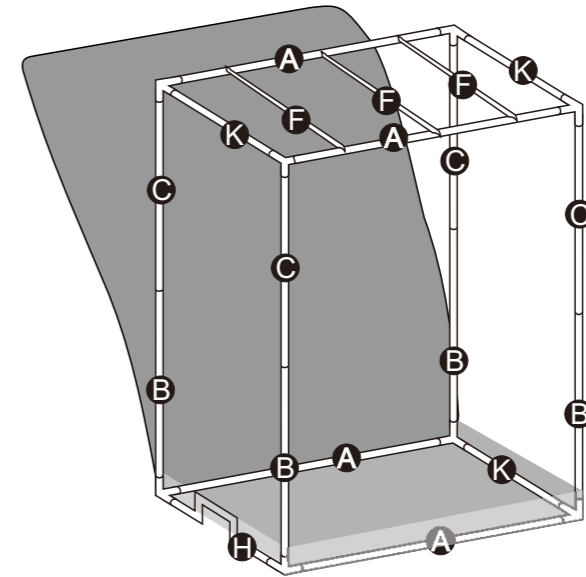
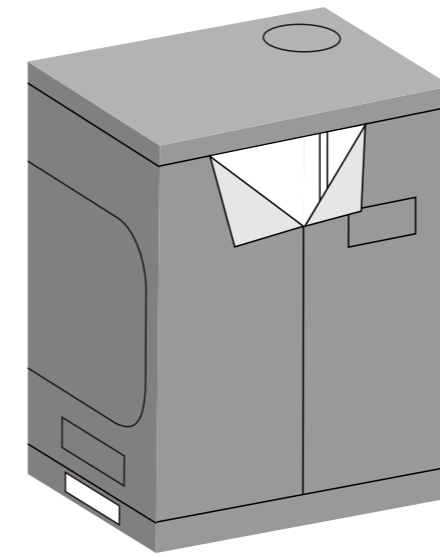
GT-2 AWL 200
Titan range only - roof assembly supports:



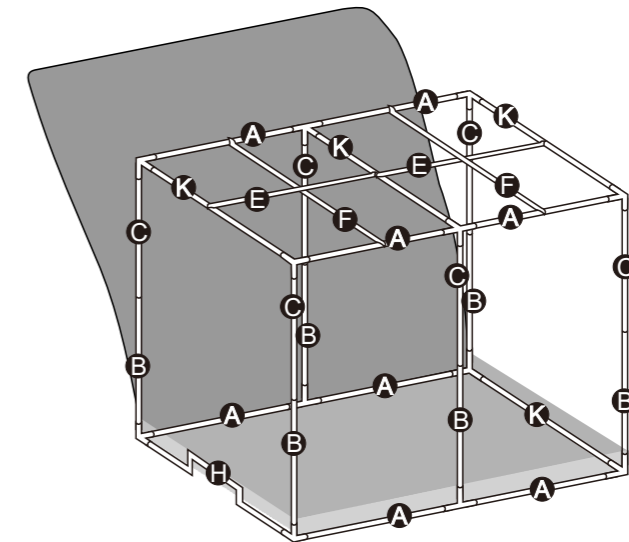
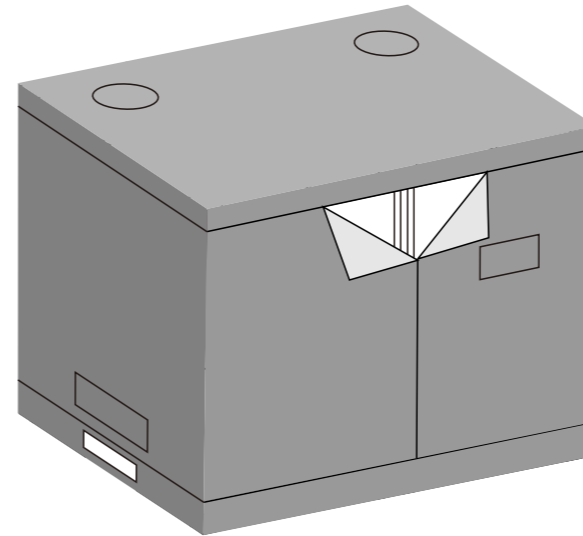
1. Lay out cover with bottom on floor
2. Undo all zips
3. Build frame into base of cover
4. Build frame from floor up
5. Carefully position roof cover over top of frame, from the back to the front
6. Zip up



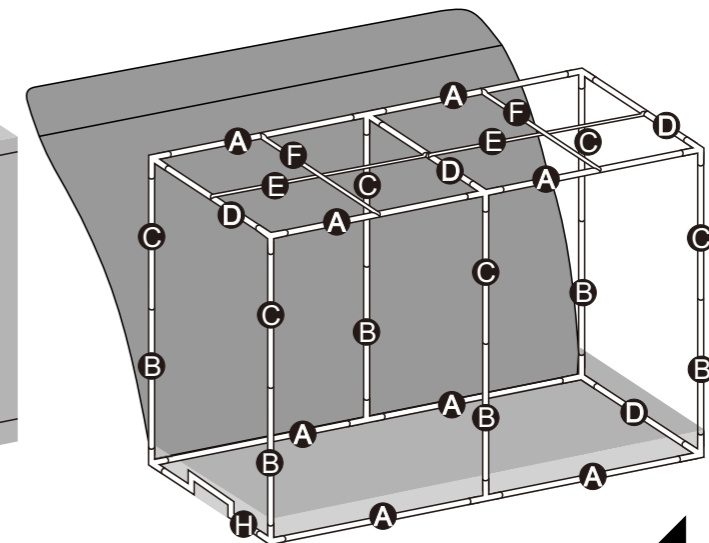
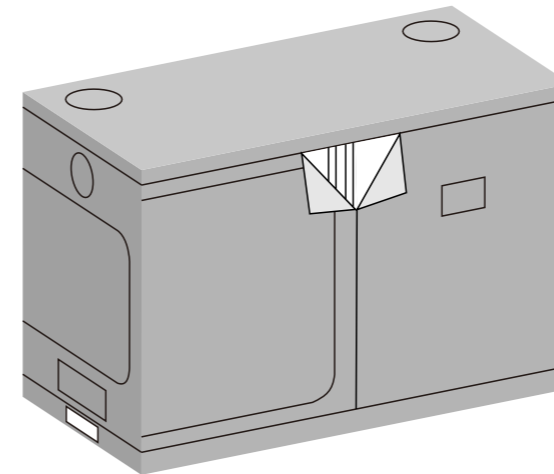
Quantities of each dependant on product type/size



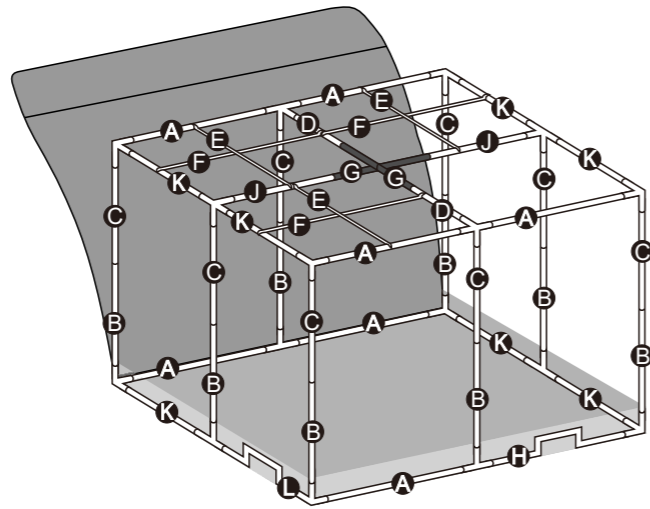
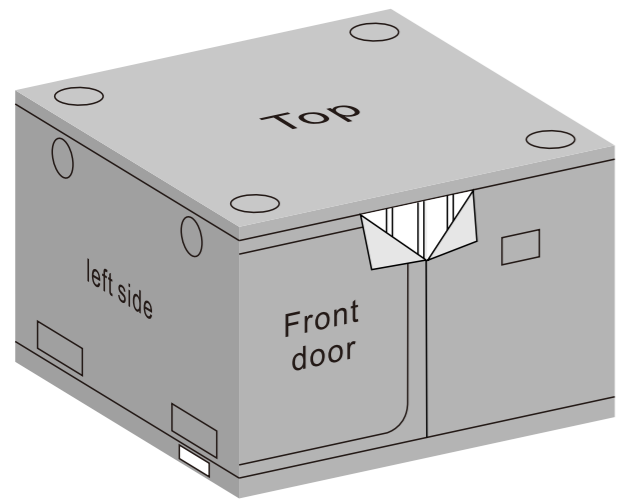
◀ BudBox AWL 100
100X150X200



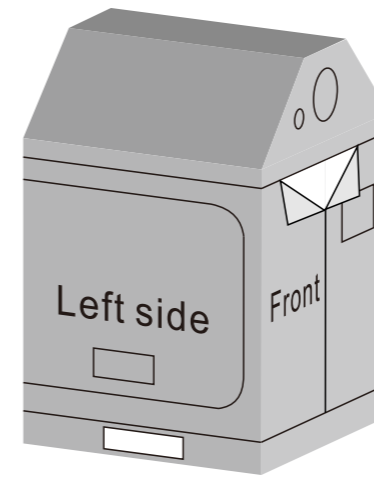
◀ BudBox AWL 150
150X200X200



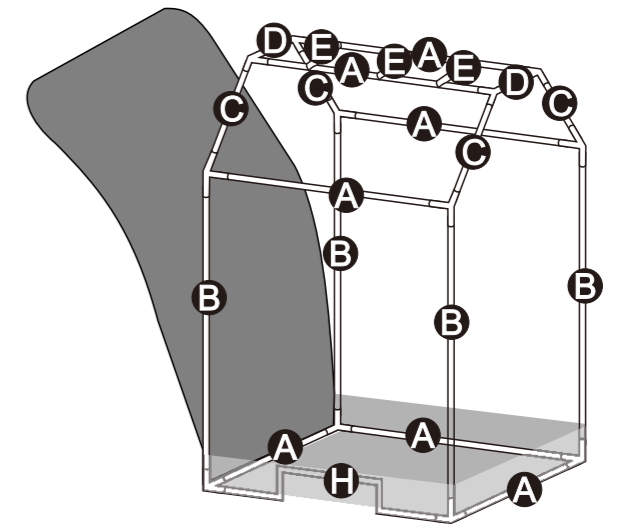
◀ BudBox GT-1
180X110X240



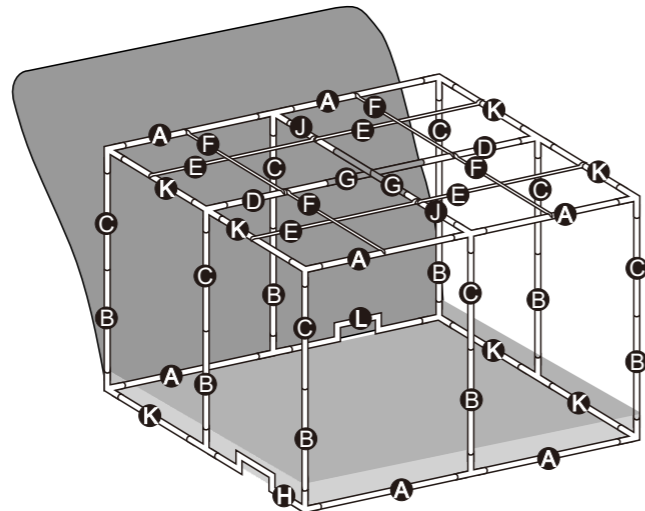
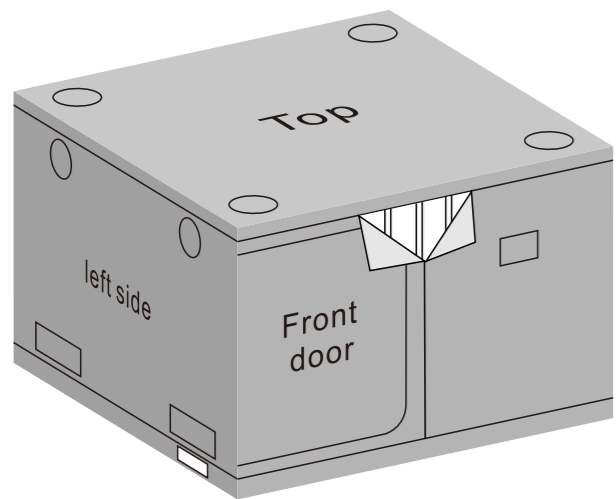
▲ BudBox GT-2
220X180X240



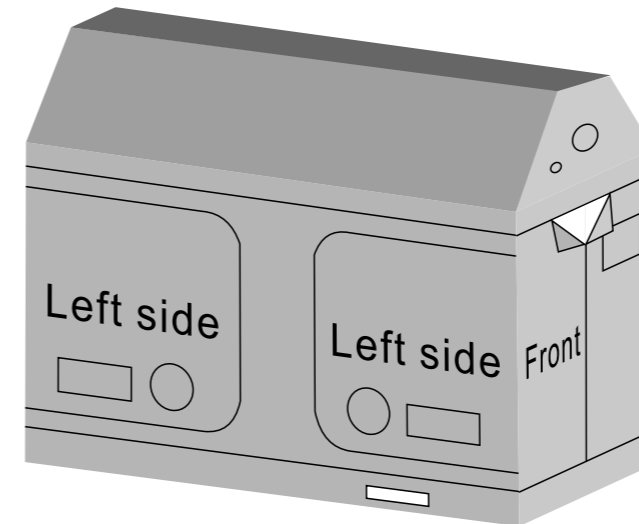
▲ BudBox XL-R
120X120X180



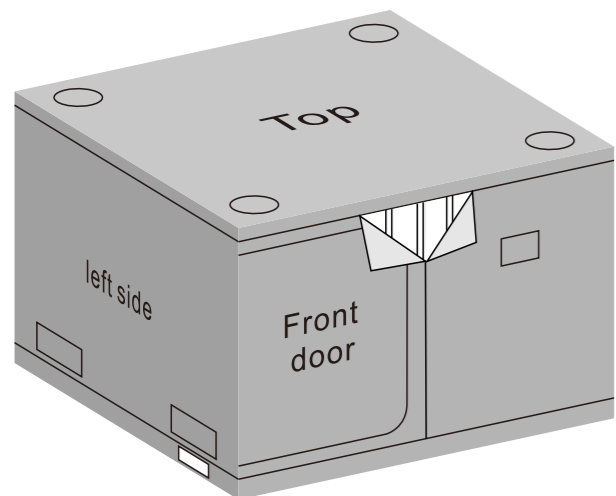
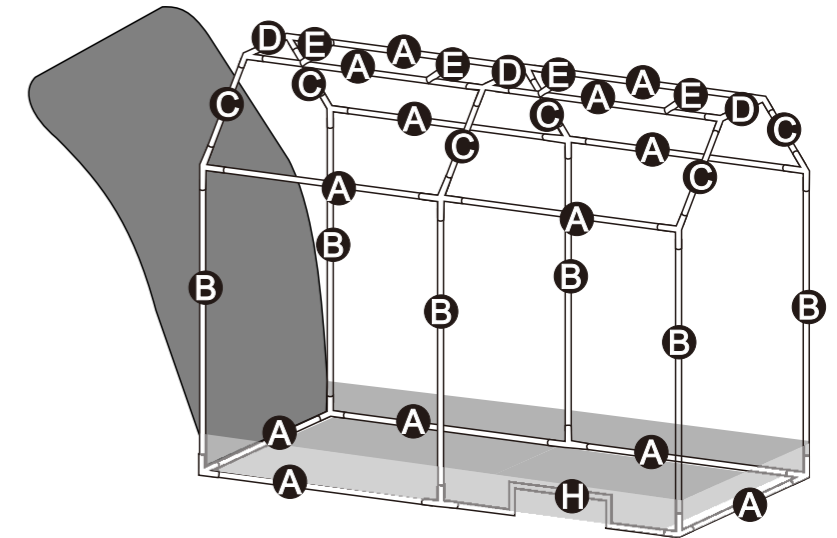
▲ BudBox XL PLUS-R
150X150X180



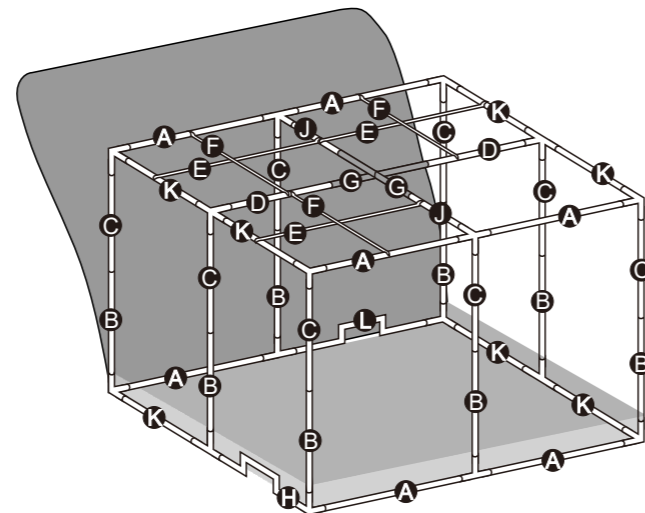
▲ BudBox AWL 200
200X300X200



▲ BudBox XXL-R
240X120X180



▲ BudBox TITAN 1 PLUS
300X200X200



▲ BudBox TITAN 1 PLUS-HL
300X200X220

Budbox Limited

Mill house-12 Cheltenham Mount - Harrogate
North Yorkshire HG1 IDL
United kingdom

Tel: +44(0)1423506669
www.budboxgrowtents.com
info@budboxgrowtents.com

